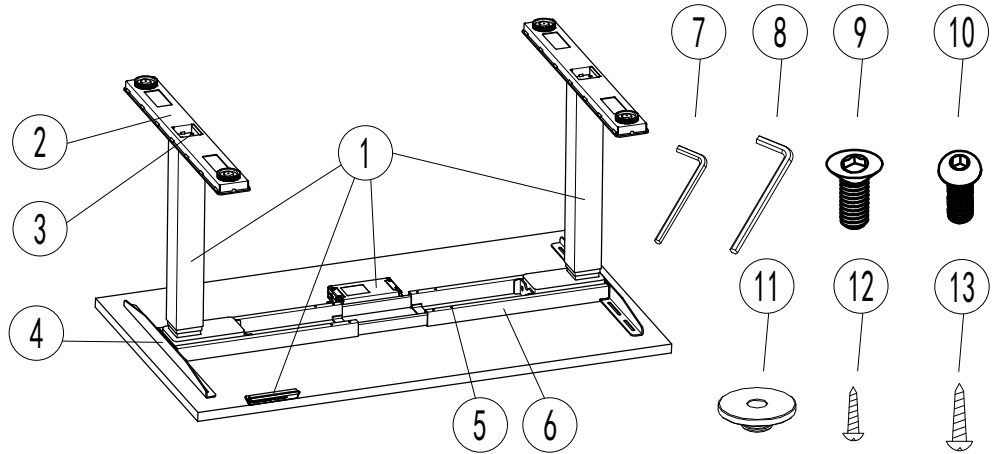


# Assembly Instructions

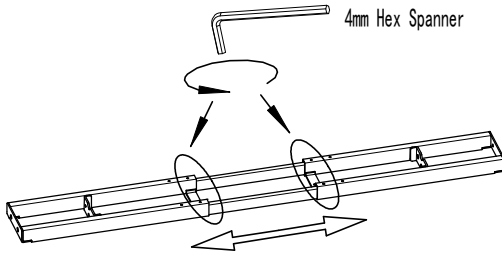
## AOKE DUAL PRO

Parts and Tools list

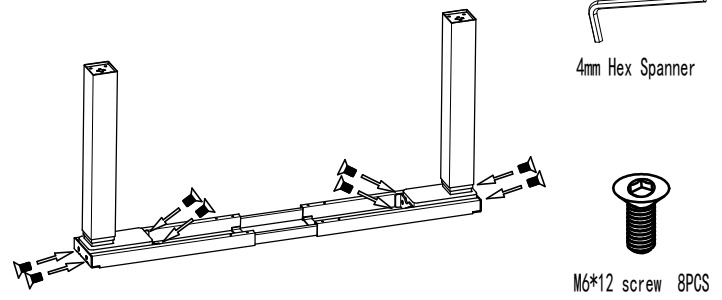
NO.	Name	Qty	NO.	Name	Qty
1	Lifting System	1set	11	Rubber Cushion	10
2	Foot	2	12	ST3.5*19 Screw	2
3	M8*16 Screw	8	13	ST4.8*19 Screw	12
4	Bracket	2			
5	M6*10 Screw	8			
6	Support Beam	1			
7	4mm Hex Spanner	1			
8	5mm Hex Spanner	1			
9	M6*12 Screw	12			
10	M6*16 Screw	4			



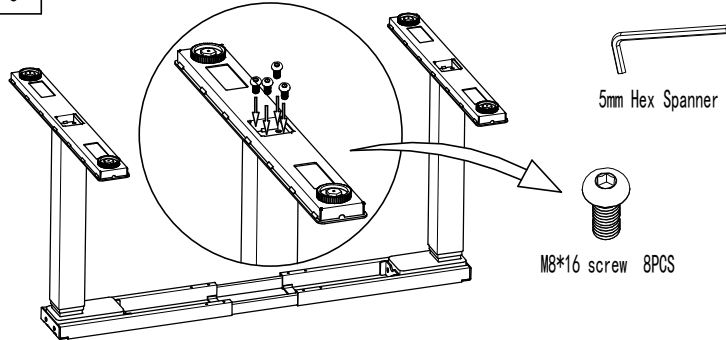
- 1** Loosen the M6\*10 screw on the beam with 4mm hexagon wrench, then adjust the length of the beam according to the tops, and finally fix the beam with the M6\*10 screw in the screw package and the screw on the beam.



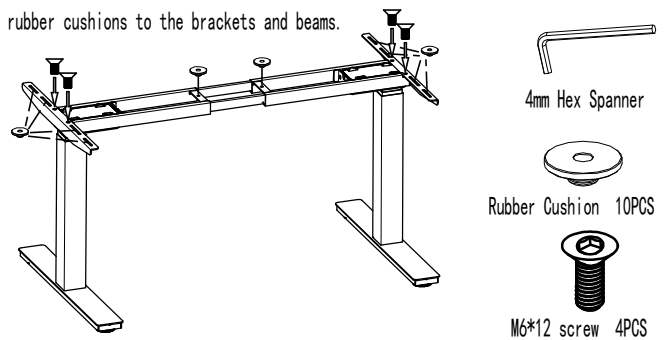
- 2** Attach legs to the beam using 8 of M6\*12 screws.



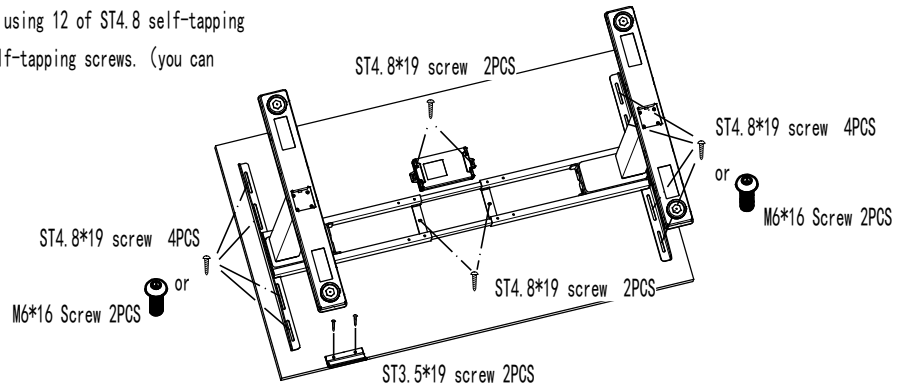
- 3** Attach foot to the legs using 8 of M8\*16 screws.



- 4** Overturn frame and attach brackets to beam using 4 of M6\*12 screws, and then fit the rubber cushions to the brackets and beams.



- 5** Attach the frame and the control box to the underside of the desktop using 12 of ST4.8 self-tapping screws, attach handset to the underside of desktop using 2 of ST3.5 self-tapping screws. (you can use the self tapping screw or in case of inserts use the M6\*16 screw)



- 6** Connect the control box to the handset and to the motor.

