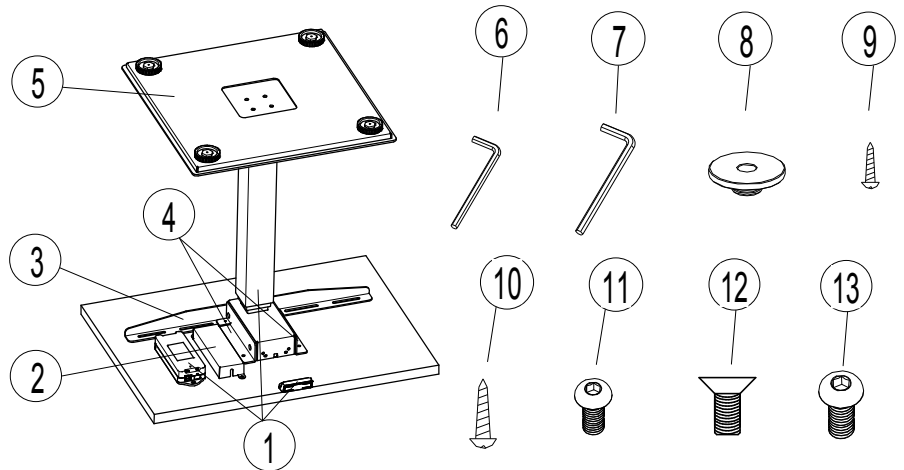


Assembly Instructions

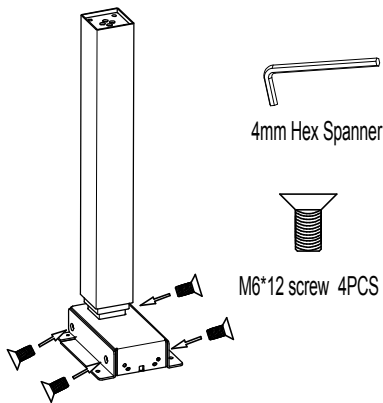
AOKE ONE

Parts and Tools list

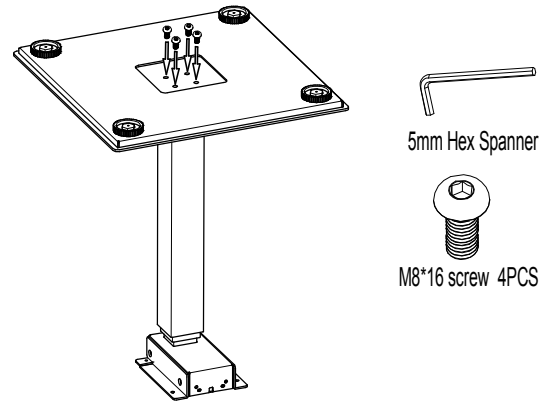
NO.	Name	Qty	NO.	Name	Qty
1	Lifting System	1set	11	M6*16 Screw	2
2	Cable tray	1	12	M6*12 Screw	6
3	Bracket	1	13	M8*16 Screw	4
4	Connection	2			
5	Foot	1			
6	4mm Hex Spanner	1			
7	5mm Hex Spanner	1			
8	Rubber Cushion	6			
9	ST3.5*19 Screw	2			
10	ST4.8*19 Screw	10			



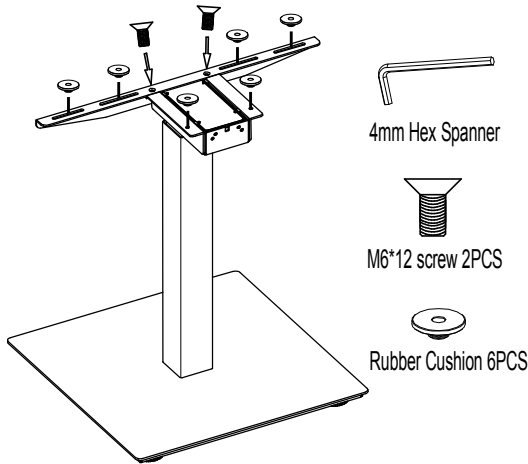
1 Attach connection to the leg using 4 of M6*12 screws.



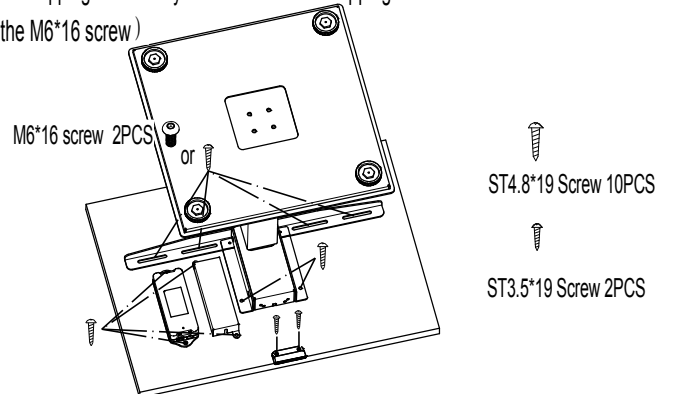
2 Attach feet to the leg using 4 of M8*16 screws.



3 Attach bracket to the connection using 2 of M6*12 screws, and press the rubber pad.



4 Attach the frame and the control box to the underside of the desktop using 10 of ST4.8 self-tapping screws, attach handset to the underside of desktop using 2 of ST3.5 self-tapping screws. (you can use the self tapping screw or in case of inserts use the M6*16 screw)



5 Connect the control box to the handset and to the motor.

